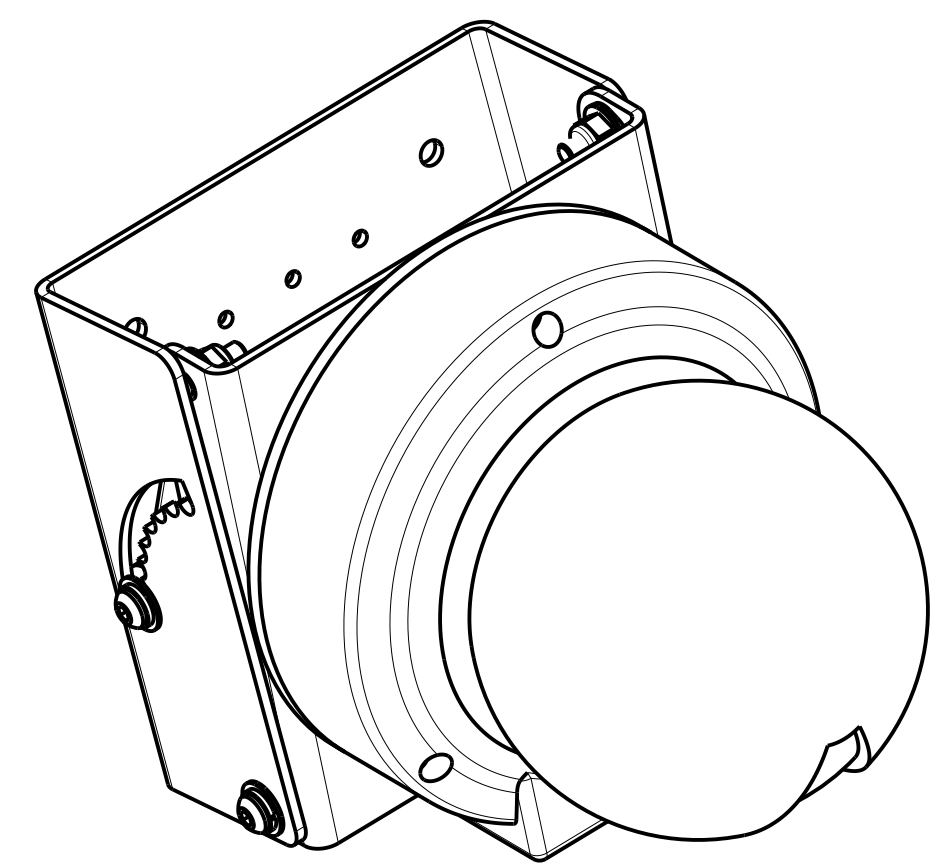
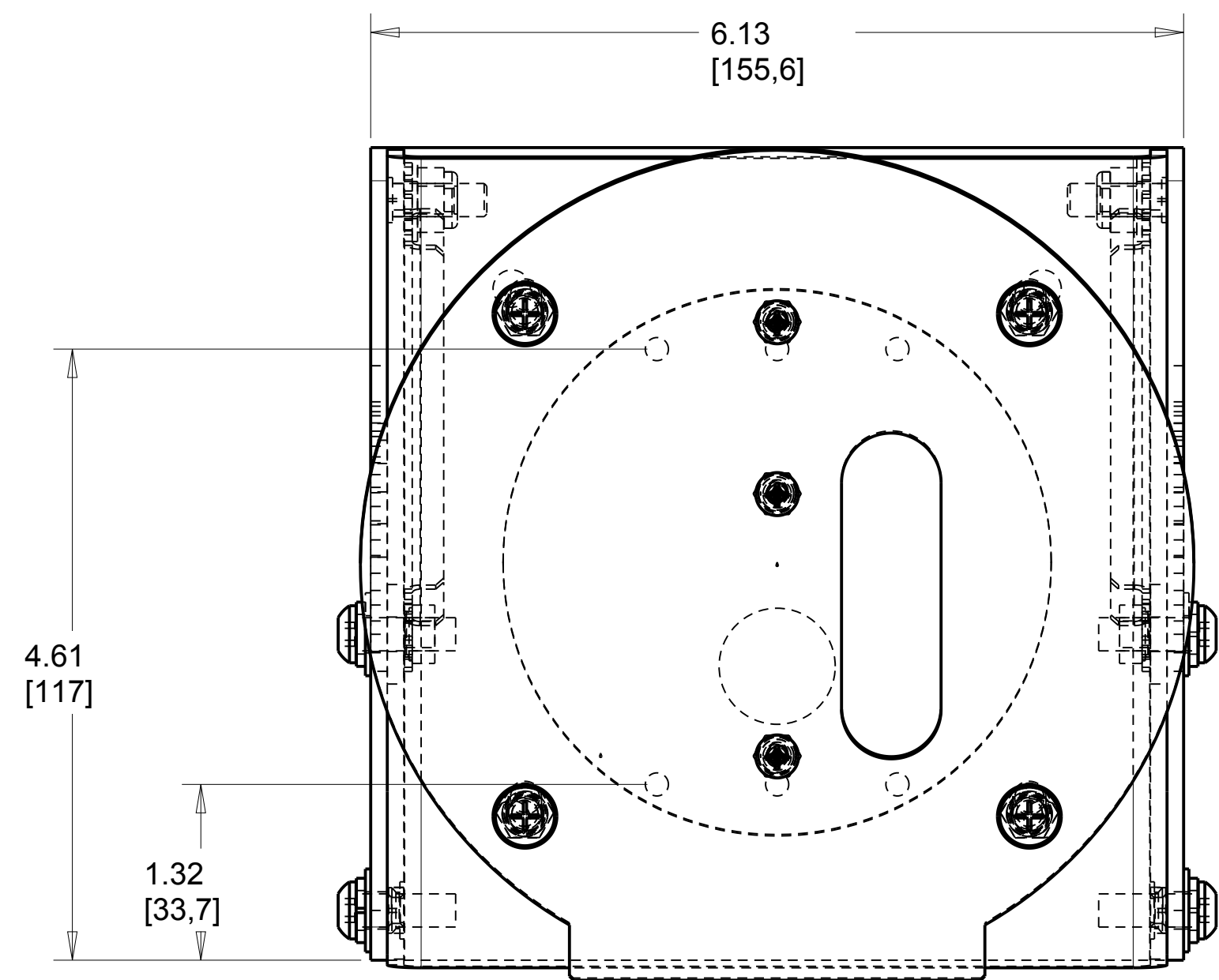
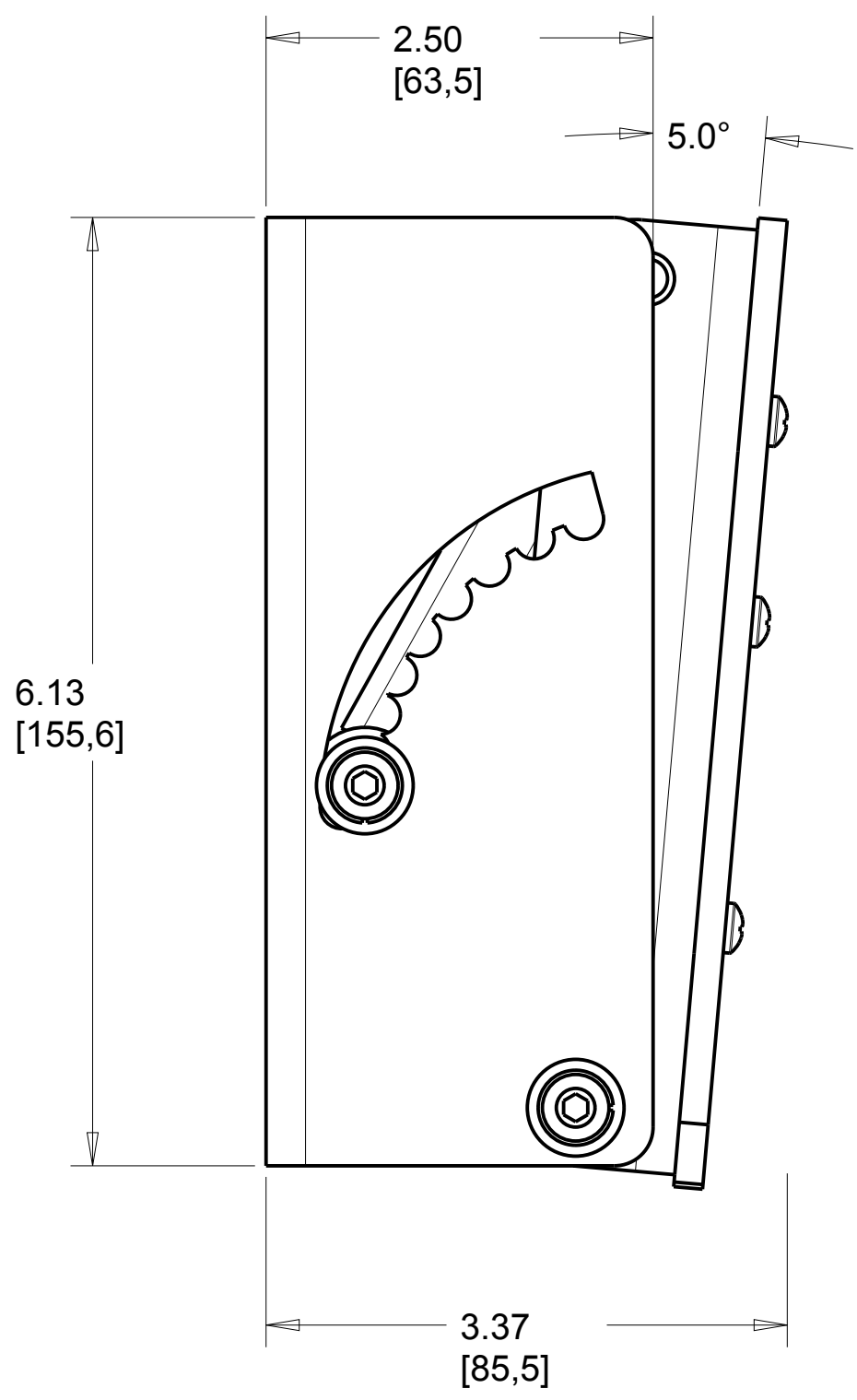


**REVISIONS:**

PART NUMBER: 108703	REV: 0 B
RELEASED FOR APPROVAL	
05/08/18 ASP REV 0B	



FOR REFERENCE VIEW ONLY

THESE DRAWINGS AND SPECIFICATIONS ARE THE PROPERTY OF AND PROPRIETARY TO BROADSIGHT SYSTEMS INC. AND ARE NOT TO BE DISCLOSED, REPRODUCED, COPIED OR USED AS THE BASIS OF MANUFACTURE OR SALE OF APPARATUS AND /OR DEVICES OR OTHERWISE WITHOUT BSI PRIOR WRITTEN CONSENT.

<b>Broadsight Systems INC</b> MEBANE, N.C.		DESIGNED BY/DATE: ASP 03/16/18	COMM. CODE:	SCALE: NONE	MODEL:
BSI COMPONENT PARTS ARE ROHS COMPLIANT <input type="checkbox"/>	TOLERANCES: UNLESS SPECIFIED.	DRAWN BY/DATE: ASP 03/19/18	DRAWING TITLE: <b>ANGLE ADJUSTMENT BRACKET</b>		
ALL DIMENSIONS ARE IN INCHES UNLESS OTHERWISE SPECIFIED	0.0 ± .030 0.00 ± .015 0.000 ± .005	CHECKED BY/DATE:			
THIRD ANGLE PROJECTION	ANGULAR ± 1/2°	CAGE 7DJB4	SIZE: C	DRAWING NUMBER: 108703	REV: 0 B

